

# PRODUCT DATA SHEET

## ET1183 Medium Speed Torquemeter

### Model Rating

Maximum Continuous Torque: 180Nm

Maximum Continuous Speed: 42000rpm

Shaft Rating Range 16Nm to 180Nm

Accuracy at Full Scale Torque 0.12% Application Dependand

### Specification

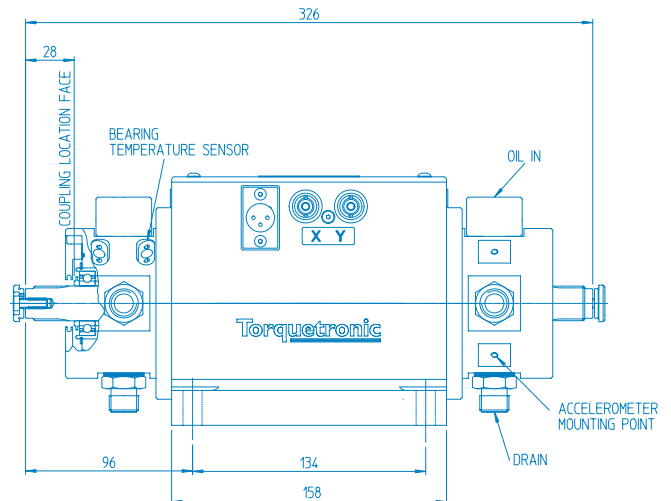
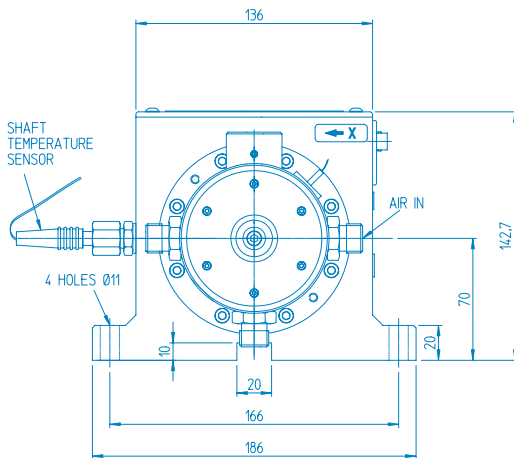
Number of Bearings	4
Bearing Temp. Quantity	1 Per Bearing
Bearing Temp. Monitoring	See GDS01
Bearing Lubrication Type	Grease
Accelerometer Mounting	2-off Each End. See GDS01
Rotastat Voltage	See GDS01

### Environment

Storage Temperature	-50 to 85°C
Operating Temperature	-20 to 80°C



### Outline Drawing



Overall Weight 13kg

### For more detail see drawings

INST02-1183-00	For installation drawing
02-1183-00	For itemized assembly drawing
E850001	For typical electrical connection drawing
03-1183-00	For drawing of optional calibration tooling
06-1185-00 & 06-1185-01	For optional bearing removal and refitting tooling



### Torquemeters Limited

Ravensthorpe, Northampton, NN6 8ET, United Kingdom.  
Telephone: +44 (0)1604 770232 Fax: +44 (0)1604 770778  
email: info@torquemeters.com www.torquemeters.com

**Torquemeters** LIMITED  
high performance test & measurement systems

### Coupling Specification

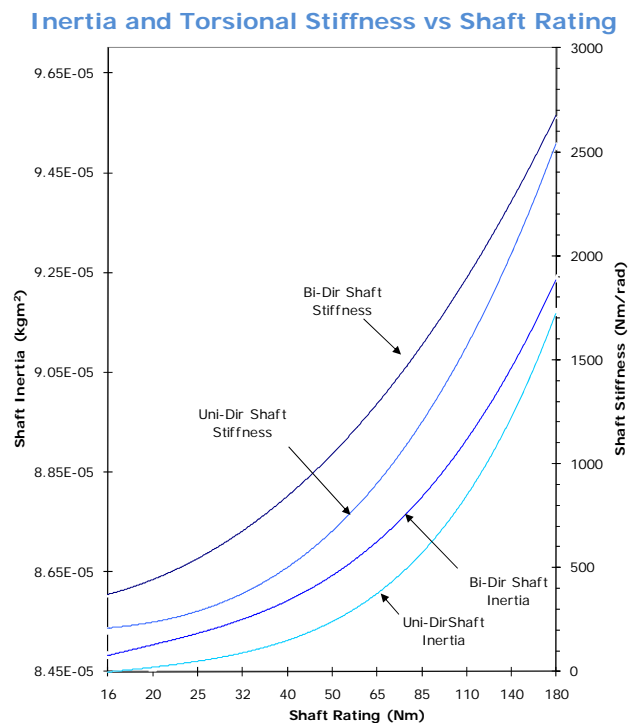
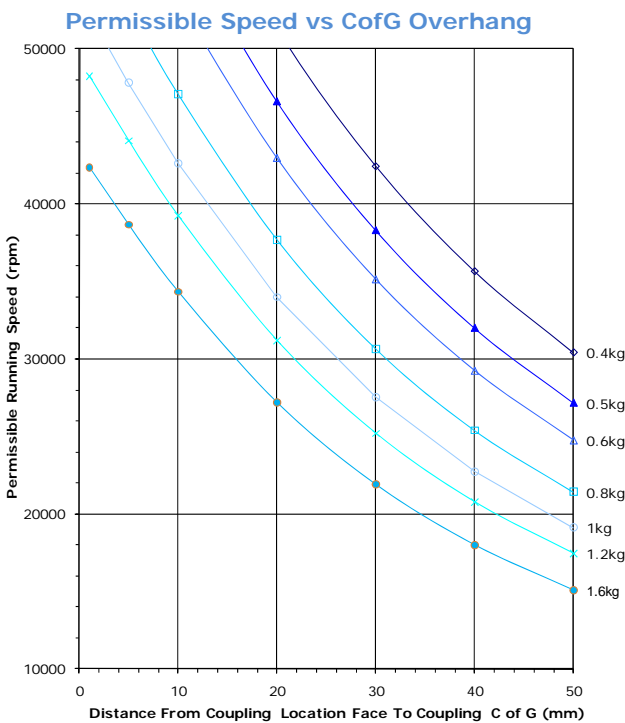
Recommended Coupling	TORDISC LM118
Shaft End Type	Splined DIN 5480 – 20 x 1 x 18 x 7H 8f
Shaft Nominal Diameter	20mm

### Bearing Lubrication Requirements

Lubrication type	Synthetic Grease
Grease type	Lubcon L182 Grease
Grease quantity	0.16 ml

### Cartridge Style

Interchangeable torsion shafts for ET1183 supplied with bearings as a cartridge assembly



Please refer to Technical Data Sheet (TDS01) for details of Torquetric Torquemeter phase shift system.  
Please refer to Generic Data Sheet (GDS01) for details of Torquemeter options.